

Twin Screen Video Conferencing Stand with Camera Shelf

For more information please visit www.btechavmounts.com/BT8521

BT8521



BT8521

Twin Screen Video Conferencing Stand with Camera Shelf

Heavy duty stylish flat screen stand suitable for holding two screens up to 42" (107cm) / 35kg (77lbs) per screen

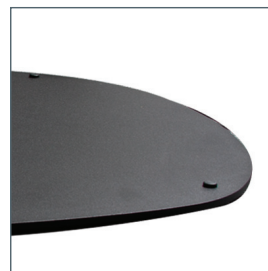
- Fits screens with mounting patterns up to: **H:** 825mm (32.5") x **V:** 500mm (19.5") including screens using VESA® fixings up to 800 x 400mm
- Universal Camera Shelf included
- Includes universal flat screen Interface Kit
- Can be used free standing or bolted to the floor
- Supplied with optional rubber feet for use when free standing
- Available in 3 colour options: Black Base with Black Poles, Black Base with Chrome Poles and Silver Base with Chrome Poles



Integrated cable management to hide unsightly cables



Tempered Glass Shelf and Bracket (BT7163) also available



Can be used free standing or bolted to the floor

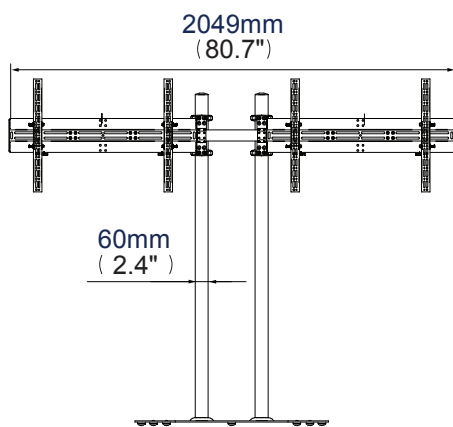


Available in 3 separate colour combinations

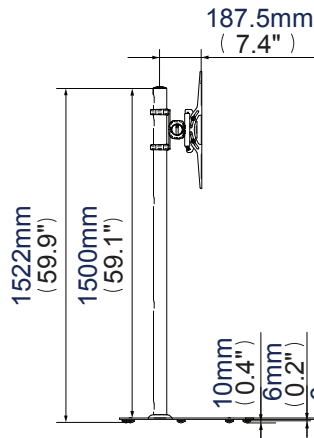
Twin Screen Video Conferencing Stand with Camera Shelf

For more information please visit www.btechavmounts.com/BT8521

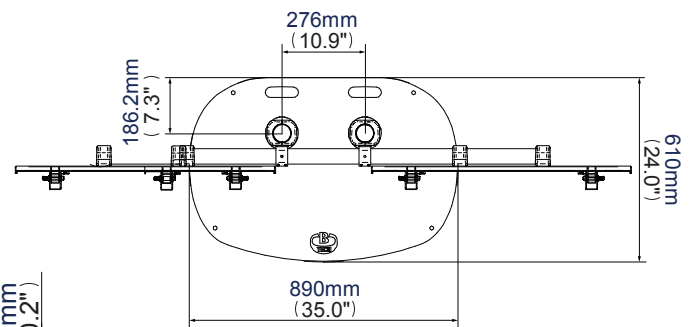
BT8521



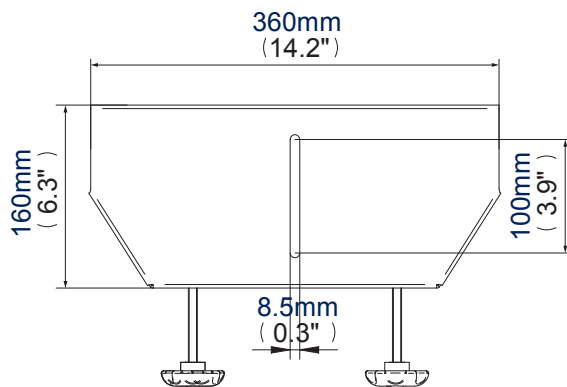
Front View



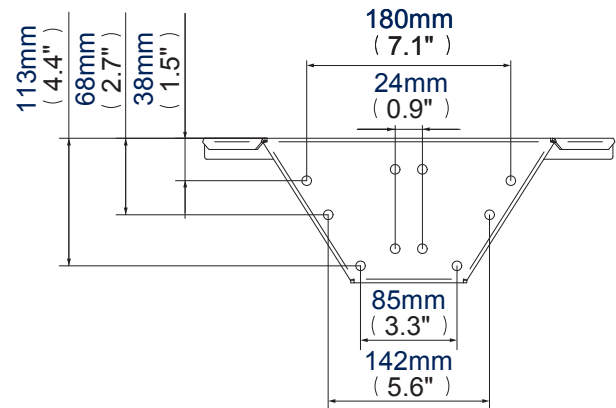
Side View



Top View



**Top View
Camera Shelf**



**Back View
Camera Shelf**

Colour:	Order Ref:	EAN Code:
Black Base & Back Poles	BT8521/BB	5019318089282
Black Base & Chrome Poles	BT8521/BC	5019318089299

**This information is intended as a guide only and reflects the current specification at the time of print.
B-Tech accepts no liability for the accuracy of the information contained in this document.**